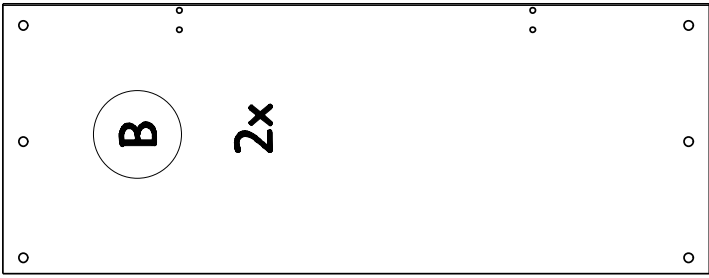


120 cm



A

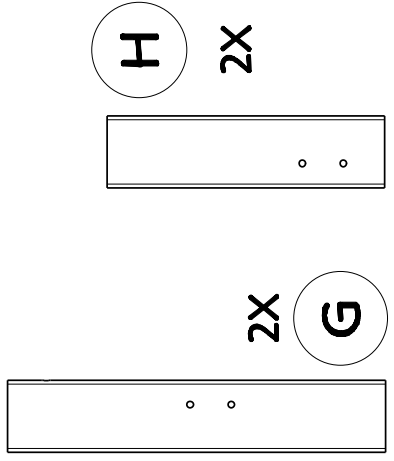
C



B

2x

D

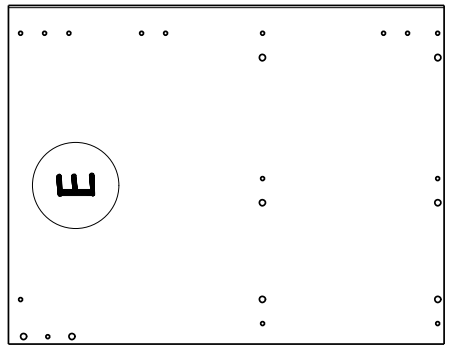


G

2X

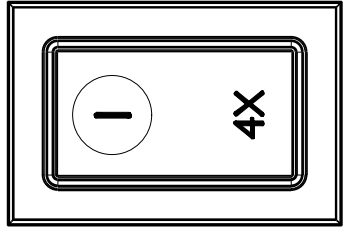
H

2X



E

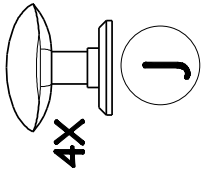
F



I

4X

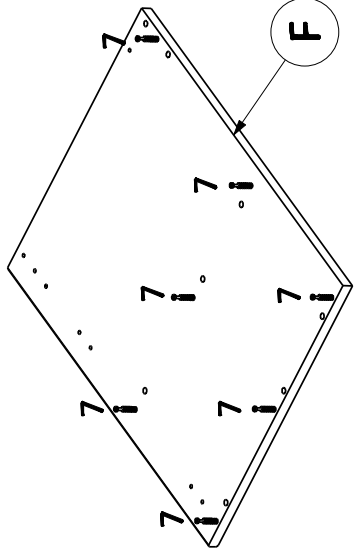
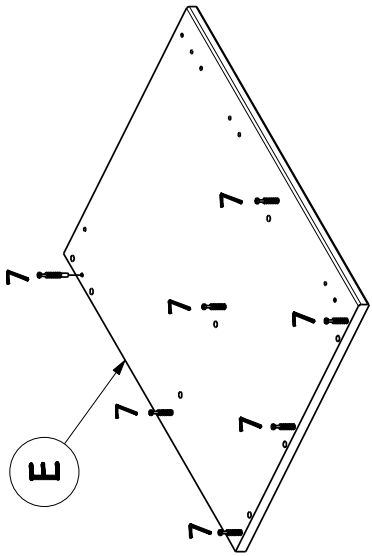
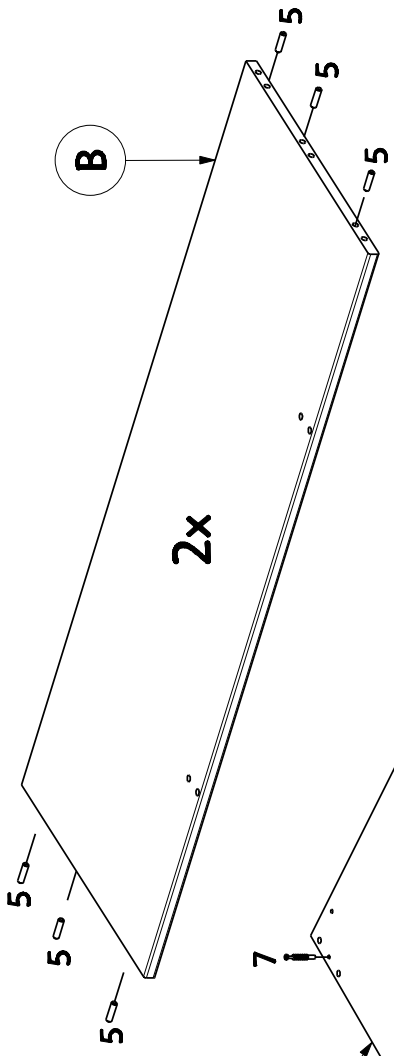
- |    |     |  |          |
|----|-----|--|----------|
| 1  | 20X |  | 6.3x13mm |
| 2  | 16X |  | 3.5x16mm |
| 3  | 2X  |  | 4x50mm   |
| 4  | 4X  |  | 6.5x40mm |
| 5  | 20X |  | 8x30mm   |
| 6  | 14X |  |          |
| 7  | 14X |  |          |
| 8  | 8X  |  |          |
| 9  | 8X  |  |          |
| 10 | 6X  |  |          |
| 11 | 1X  |  |          |
| 12 | 4X  |  | M4x25mm  |



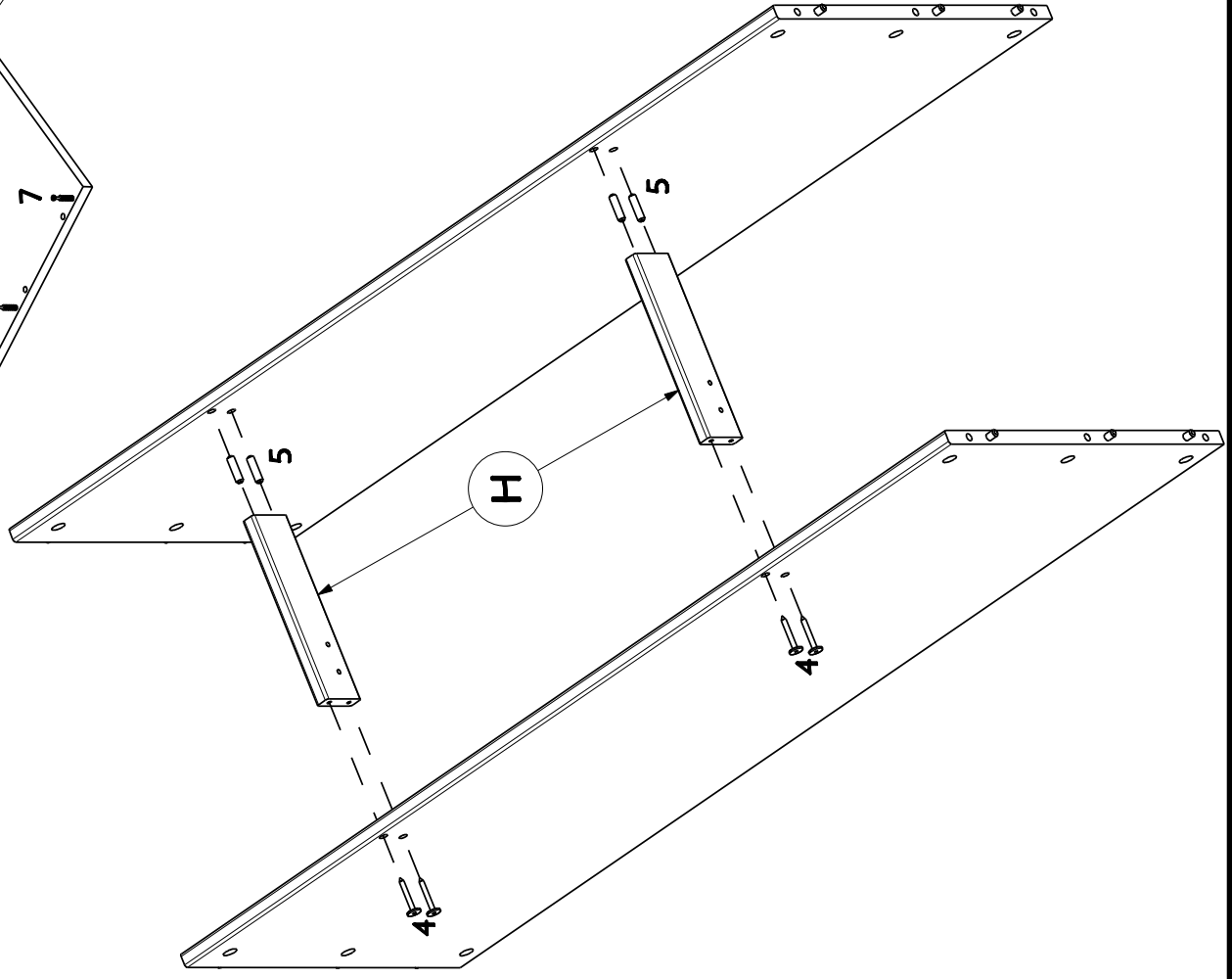
4X

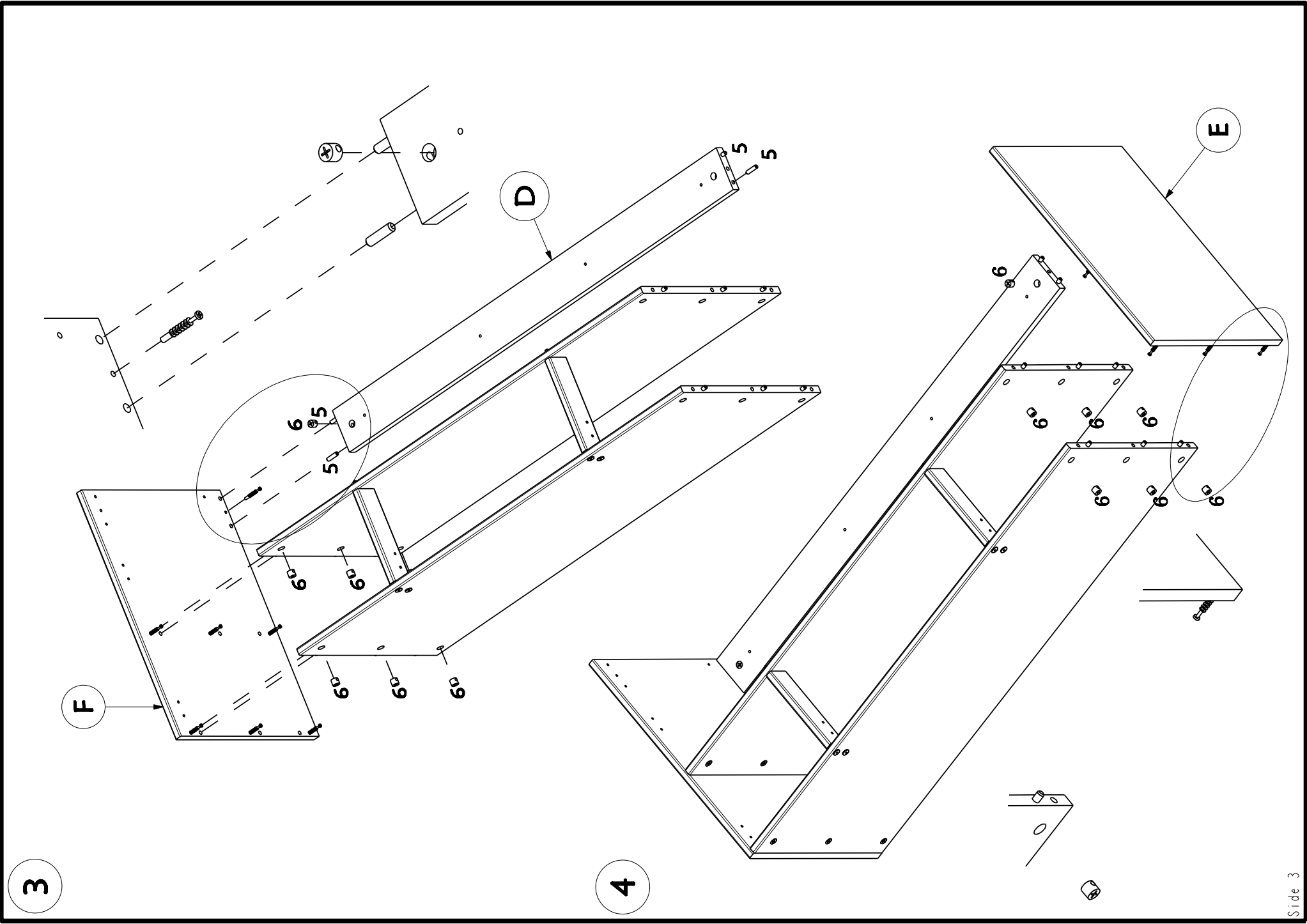
J

1

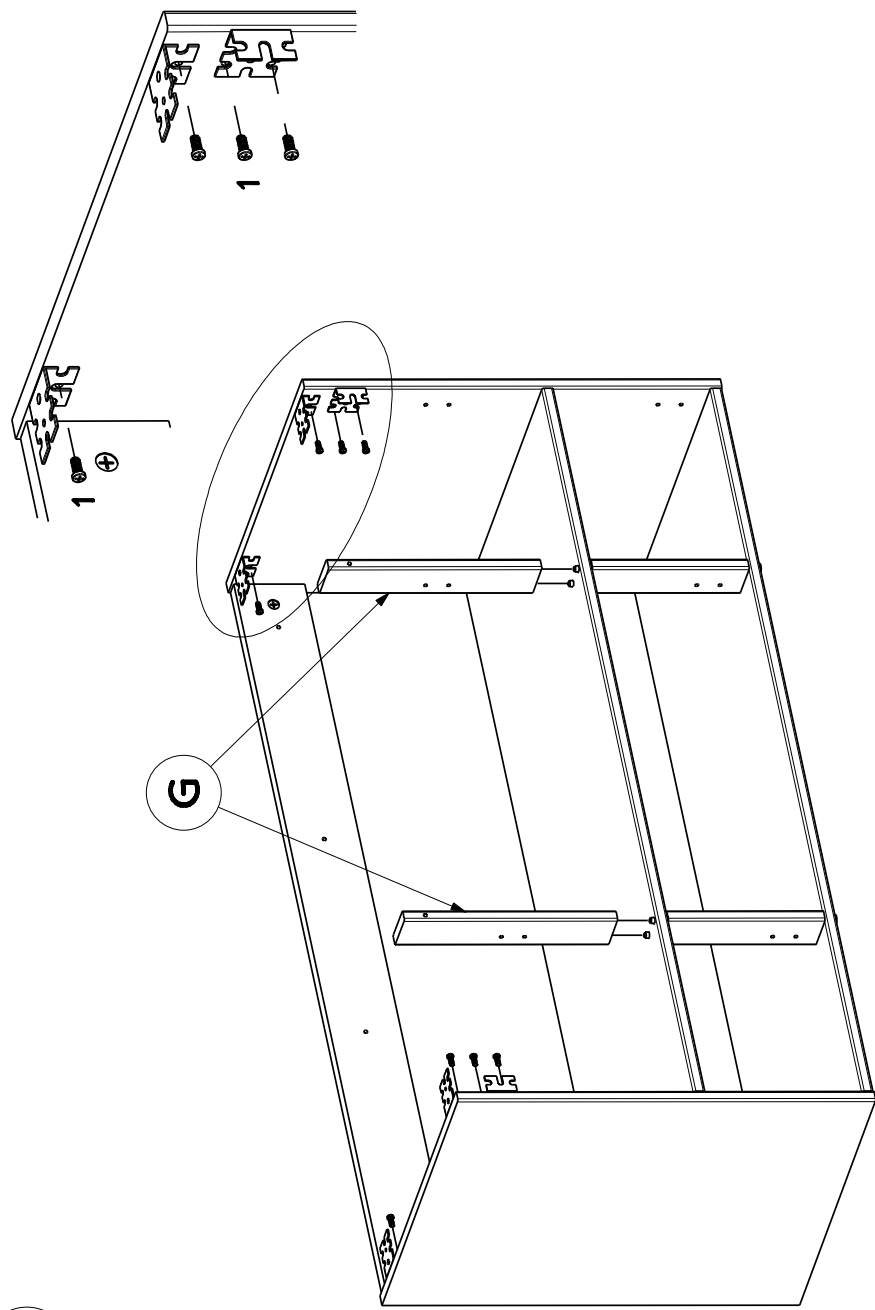


2

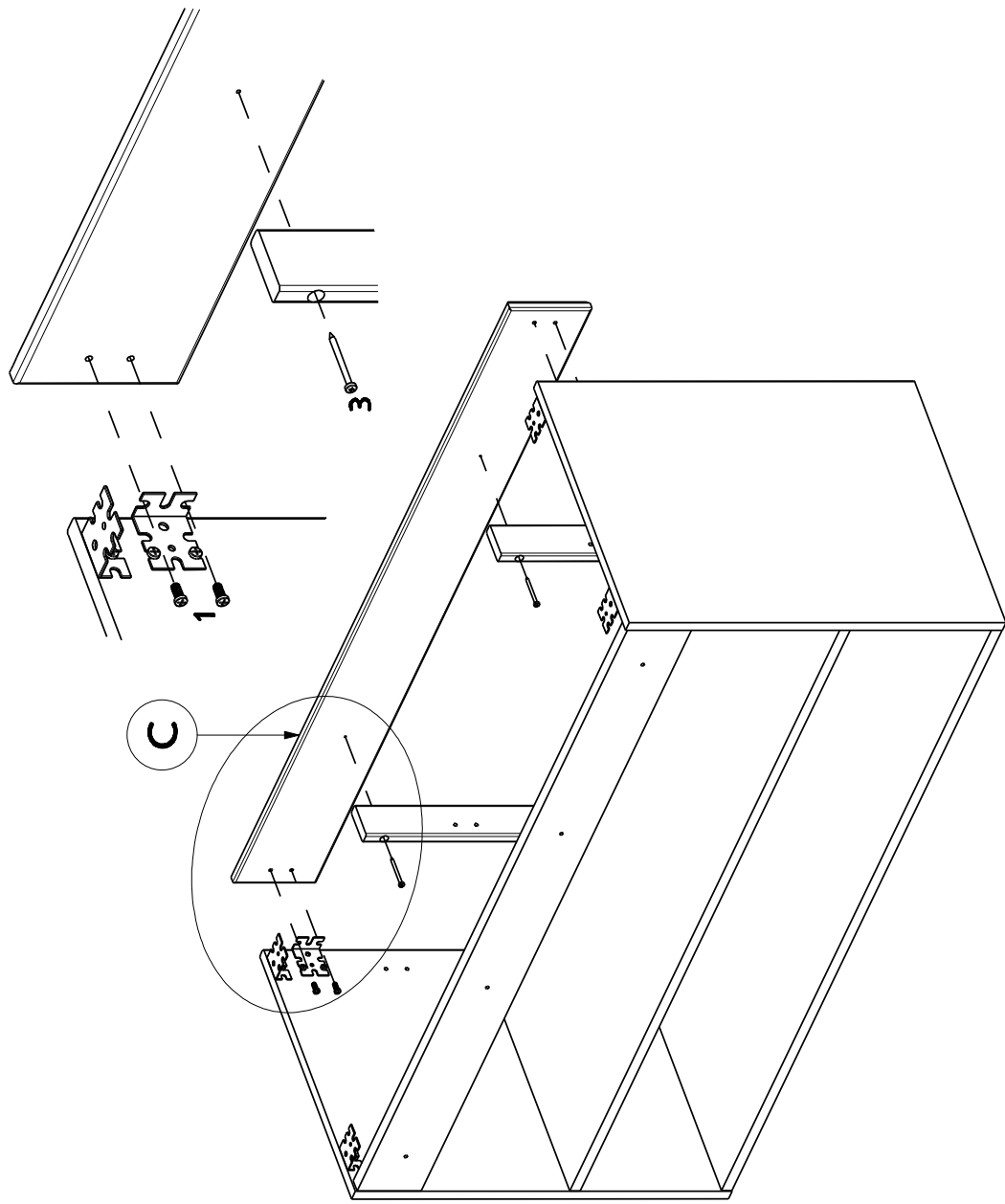




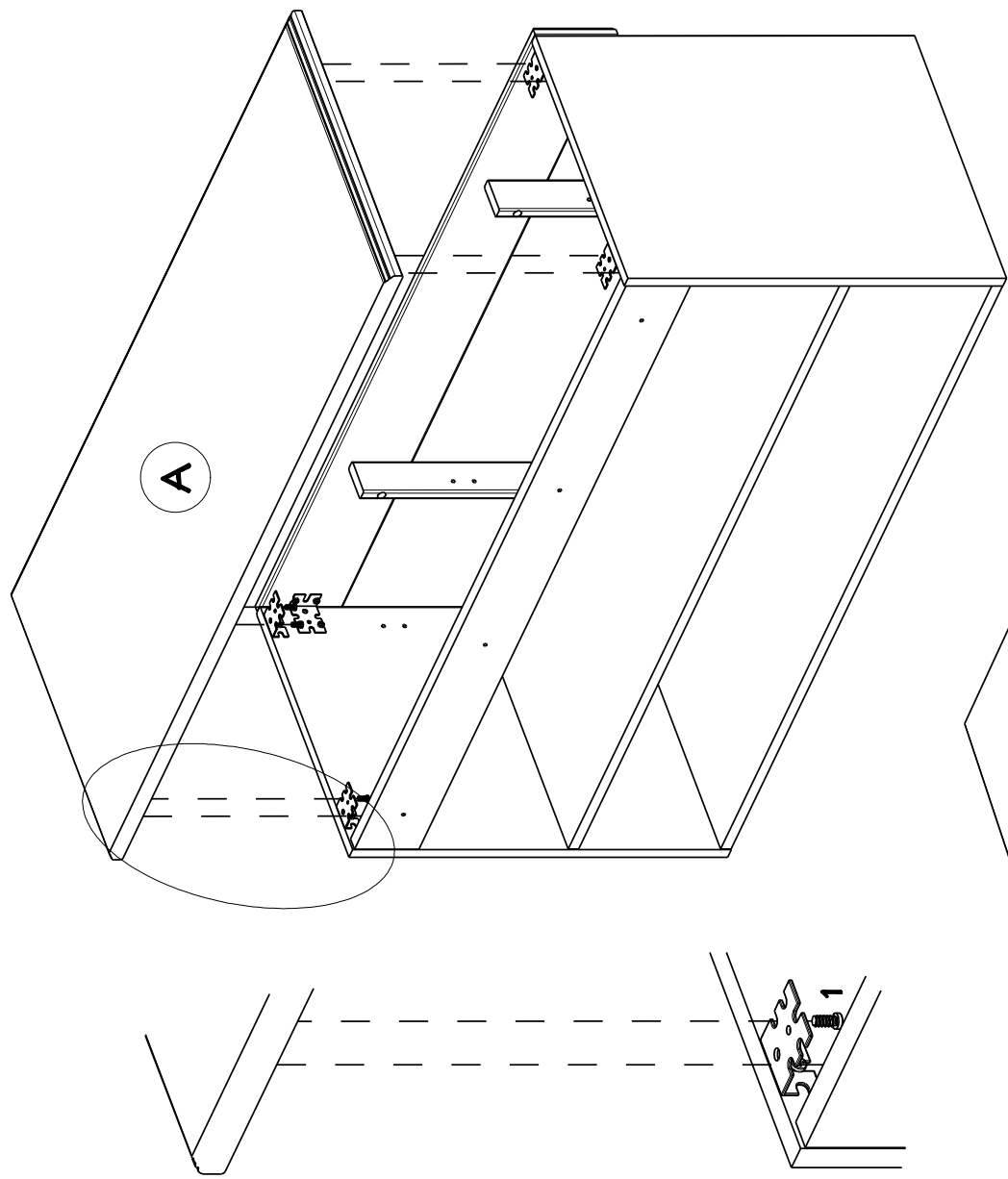
5



6



7



8

