



**GASSPEIS TB4 –TB6  
420230 - 420220**



NO Bruksanvisning

Mobile Outdoor Patio Heaters  
TB4/TB5/TB6



Certificate No. EC 1144-EC 1154

## Monteringsveiledning ligger bakerst i denne manualen etter den engelspråkelige delen.

### ADVARSLER:

Vennligst les denne håndboken nøye. Reparasjoner må utføres av kvalifisert servicepersonell. Ikke bruk denne gasspeisen innendørs. Peisen må plasseres på et stødig og plant underlag. Påse at peisen er tilknyttet gassflaske med riktig regulator. Ikke lagre eller bruk bensin eller andre brennbare gasser eller væsker i peisen. Hele gass-systemet, slange, regulator og brenner bør inspiseres for lekkasjer eller skader før bruk, og minst årlig av en kvalifisert servicemann. Alle lekkasjetester bør gjøres med lekkasjespray. Bruk aldri åpen flamme for å søke etter lekkasjer. Ikke bruk peisen før alle tilkoblinger er lekkasjetestet. Steng gassventilen umiddelbart ved misstanke om gasslekkasje. Ikke flytt peisen mens den er i bruk. Ikke flytt peisen før den er kald. Koble fra gassflasken når peisen ikke er i bruk. LPG regulator / slange skal være montert sammen med flasken i skapet. Dekk aldri til peisen eller legg tøy eller andre gjenstander oppå den. MERK! Overflater blir svart varme og kan føre til brannskader ved berøring. Hold barn og husdyr på sikker avstand.

### Plassering

- Peisen er kun for utendørs bruk. Sørg alltid tilstrekkelig ventilasjon rundt den.
- Peisen må plasseres på fast og plant underlag
- Plasser aldri peisen nærmere enn 2 meter fra brennbart materiale.
- Peisen bør beskyttes mot sterk vind husk å sette bremsen på hjulet.

### Gasstilkobling

- Peisen er kun ment for bruk med propangass Trykkregulatoren og slange som brukes må være i overensstemmelse med nasjonale bestemmelser. I Norge skal regulator levere maks 30mbar.
- Sjekk alltid at pakkning på gassflasken er hel før tilkobling av regulator.
- Gasstilkoblinger er testet på fabrikken før forsendelse. En lekkasjetest av samtlige koblinger er allikevel påkrevet ved montering av peisen. Dette skyldes at sammenkoblinger kan være skadet etter transport og håndtering. Spray på lekkasjevæske på alle sammenføyninger i gassystemet og se etter bobler. Er du i tvil la en kvalifisert servicemann utføre dette for deg

## Opptenning

1. Åpne kabinettet, sette gassflasken inn i skapet Vri bryteren med klokken til "OFF"-stilling.
2. Koble regulatoren til gassflasken. Sett regulator i "ON" på sylindere. Sjekk med bruk av såpevann for gasslekkasje mellom flaske og regulator.
3. Trykk ned bryteren og fortsette å trykke mens du vrir mot klokken til "Ignition" posisjon (et klikk vil bli hørt), dette skal tenne pilotbrenneren. Hvis ikke dette skjer så gjenta denne prosessen.
4. Når piloten brenner er tent, hold bryteren inne i 15 sekunder og slipp den.
5. Hvis brenneren ikke fortsette å brenne, gjenta trinn 3 og 4
6. Juster varmen innstillingen ved å vri bryteren til høy eller lav posisjon.
7. For å slå peisen av, 'OFF' slå flaskeventilen eller regulator-bryteren til "OFF" posisjon og deretter vri kontrollknappen på peisen med klokken til "OFF" posisjon.

### ADVARSEL:

Hvis brenneren ikke tenner etter noen forsøk, skru bryteren av (med klokken) av, vent fem minutter før du prøver å tenne på nytt.

### RENGJØRING OG VEDLIKEHOLD

Peisen må alltid være kald før rengjøring.

Tørk av pulverlakkerte overflater med myk, fuktig klut.

Ikke rengjør peisen med rengjøringsmidler som er brennbare eller etsende.

Fjern skitt fra brenneren, en støvsuger kan med fordel benyttes for å fjerne spindelrev og innsekter.

Åpne den øverste bakdøren for å rengjøre rusk på glasset.

Mobile Outdoor Patio Peisens  
TB4/TB5/TB6



Certificate No.EC 1144-EC 1154

CAUTION

PLEASE READ CAREFULLY THE FOLLOWING SAFETY GUIDELINES BEFORE  
OPERATION

FOR INSTALLATION, PLEASE READ THIS MANUAL CAREFULLY  
REPAIRS SHOULD BE DONE BY A QUALIFIED SERVICE PERSON ONLY

- Do not use the this appliance for indoors, as it may cause personal injury or property damage.
- This outdoor peisen is not intended to be installed on recreational vehicles and/or boats.
- Appliance should be located on a solid surface.
- Maintenance and repair should be carried out by a qualified person.
- Improper installation, adjustment, alteration can cause personal injury or property damage.
- Do not attempt to alter the unit in any manner.
- Never replace or substitute the regulator with any regulator other than the factory-suggested replacement.
- Do not store or use gasoline or other flammable vapors or liquids in the peisen unit.
- The whole gas system, hose, regulator, pilot or burner should be inspected for leaks or damage before use, and at least annually by a qualified service person.
- All leak tests should be done with a soap solution. Never use an open flame to check for leaks.
- Do not use the peisen until all connections have been leak tested.
- Turn off the gas valve immediately if smell of gas is detected.
- Do not transport peisen while it is operating.
- Do not move the peisen after it has been turned off until the temperature has cooled down..
- Control compartment, burner and circulation air passageways of the peisen must be kept clean.
- Frequent cleaning may be required as necessary.
- The LP tank should be turned off when the peisen is not in use.
- Check the peisen immediately if any of the following occurs:
  - The peisen does not reach temperature.
  - The burner makes popping noise during use (a slight noise is normal when the burner is extinguished).
  - Smell of gas in conjunction with extreme yellow tipping of the burner flames.
- The LPG regulator/hose assembly must be located in the tank

cabinet where LPG tank located

- Any guard or other protective device removed for servicing the peisen must be replaced before operating the peisen.
- Adults and children should stay away from high temperature surface to avoid burns or clothing ignition.
- Children should be carefully supervised when they are in the area of the peisen.
- Clothing or other flammable materials should not be hung on the peisen or placed on or near the peisen.

#### HEATER STAND AND LOCATION

- The heater is for outdoor use only. Always ensure that adequate fresh air ventilation is provided.  
Always maintain proper clearance to combustibile materials.
- Peisen must be placed on level firm ground.
- Never operate peisen in an explosive atmosphere like in areas where  
gasoline or other flammable liquids or vapors are stored.
- Keep a distance of at least 2 metres from Combustible Materials.
- After every use, turn off the gas valve on the cylinder.
- The heater should be protected from strong winds by braking the wheel

#### GAS REQUIREMENTS

- Use liquid propane gas only.
- The pressure regulator and hose assembly to be used must conform to local standard codes.
- The installation must conform to local codes, or in the absence of local codes, with the standard for the storage and handling of liquid petroleum gases.
- A dented, rusted or damaged propane tank may be hazardous and should be checked by your tank supplier. Never use a propane tank with a damaged valve connection.
- The propane tank must be arranged to provide for vapor withdrawal from the operating cylinder.
- Never connect an unregulated propane tank to the peisen.

#### LEAKAGE TEST

Gas connections on the heater are leak tested at the factory prior to shipment. A complete gas tightness check must be performed at the installation site due to possible mishandling in shipment or excessive pressure being applied to the heater.

- Make a soap solution of one part liquid detergent and one part

water. The soap solution can be applied with a spray bottle, brush or rag. Soap bubbles will appear in case of a leak.

- The heater must be checked with a full cylinder.
- Make sure the safety control valve is in the OFF position.
- Turn the gas supply ON.
- In case of a leak, turn off the gas supply. Tighten any leaking fittings, then turn the gas supply on and recheck.
- Never do leak test while smoking.

#### LIGHTING INSTRUCTIONS

1. Open the cabinet door, put the gas cylinder into the cabinet  
Turn the control knob clockwise to "OFF" position.
2. Connect the regulator to the gas bottle and gas control valve. Turn the gas supply "ON" at the cylinder. Check with the use of soapy water for any gas leakage between the bottle and the regulator
3. Push down the control knob and keep pressing whilst turning anti-clockwise to the  
"Ignition" position (a click will be heard), this will light the pilot. If not repeat this process.
4. When the pilot burner is lit, keep the control knob pressed for 5 seconds then release it.
5. If the burner does not stay alight, repeat steps 3 and 4. If the burner has not lit wait 5 minutes and repeat steps 3 and 4.
6. Adjust the heat setting by turning the control knob to the high or low position.
7. To turn the heater 'OFF' turn the cylinder valve or regulator switch to the 'OFF' position and then turn the control knob on the appliance clockwise to the 'OFF' position.

#### WARNING:

If the burner fails to ignite, turn the control knob off (clockwise) and also turn the cylinder valve off. Wait five minutes before attempting to relight with ignition sequence.

#### CLEANING AND CARE

Make sure all the cleaning is done after turn off the heater and cooling down.

Wipe off powder coated surfaces with soft, moist rag.

Do not clean heater with cleaners that are combustible or corrosive.

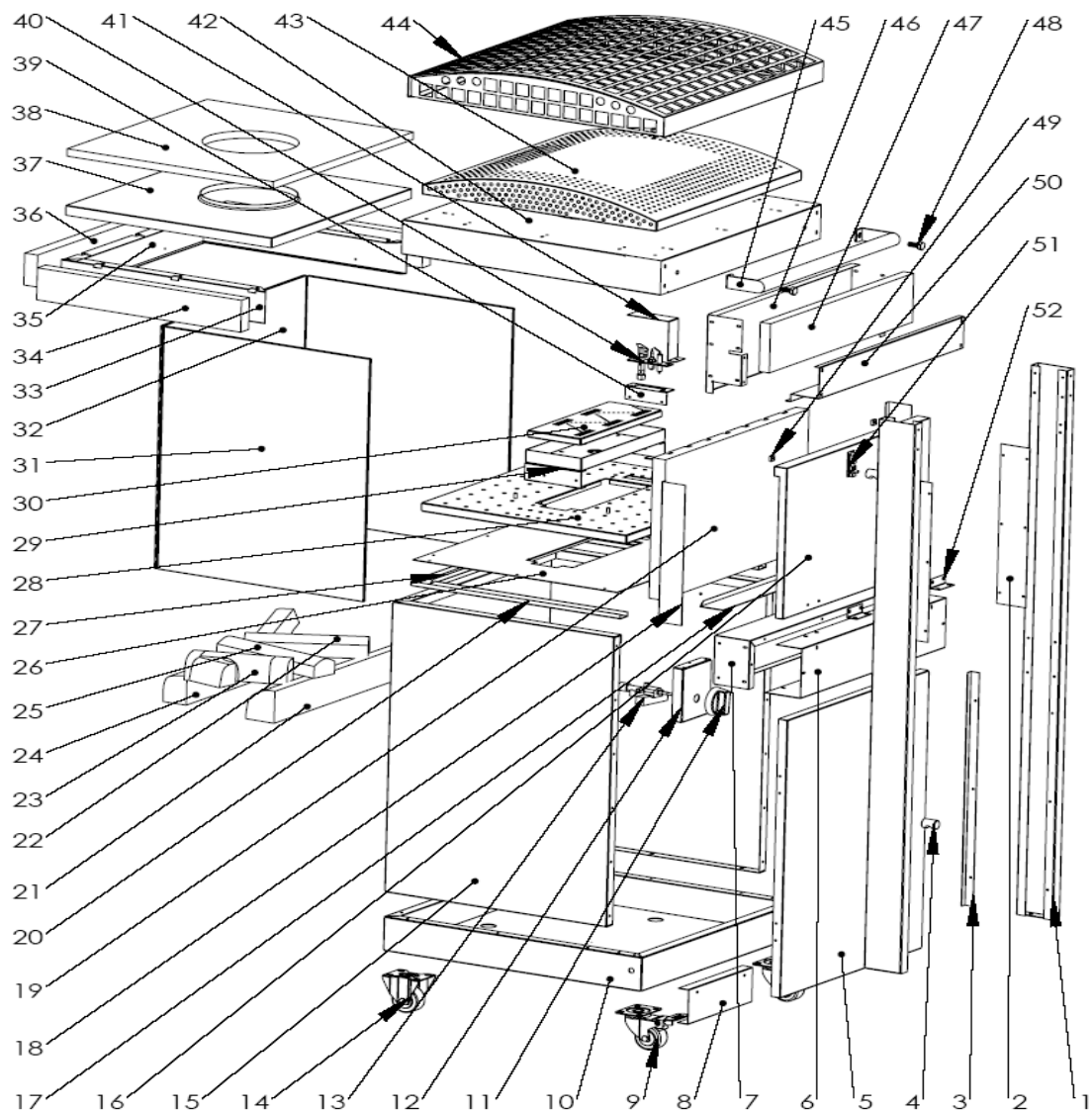
Remove debris from the burner to keep it clean and safe for use.

Open the top back door to clean debris on glass carefully.

## STORAGE

1. Always close the gas valve of the gas cylinder after use or in case of a disturbance.
2. Remove the pressure controller and the hose.
3. Check the tightness of the gas valve and for damage. If you suspect a damage, have it changed by your gas dealer.
4. Never store liquid gas cylinder in a sub-terrain, or at places without adequate air ventilation.

Exploding Drawing-TB4

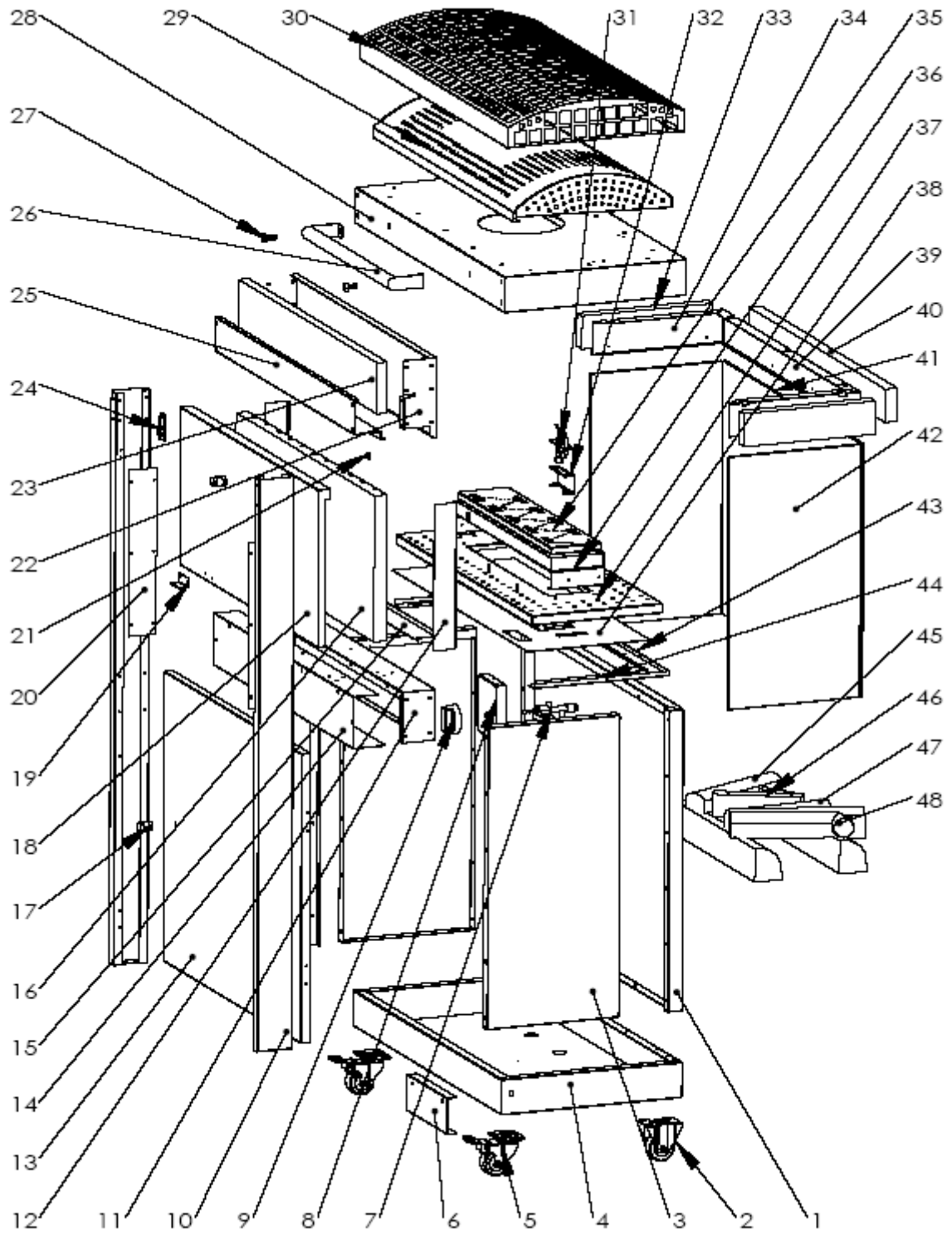


PARTS LIST-TB4					
Part No	Name	QT Y	Part No	Name	QT Y
1	VERTICAL BAR	2	27	FRONT SUPPORTER OF COMBUSTION CHAMBER BOTTOM BOARD	1
2	INNER PIECE	2	28	BASE BOARD OF BURNER	1
3	TANK CABINET DOOR DAMPER	1	29	BURNER INNER ASSEMBLY	1
4	TANK CABINET DOOR KNOB	1	30	BURNER OUTER ASSEMBLY	1
5	TANK CABINET DOOR	1	31	SIDE GLASS	2
6	TOP DECORATED BAR OUTER	1	32	FRONT GLASS	1
7	TOP DECORATED BAR INNER	1	33	GLASS FIXING SIDE PIECE	2
8	SS DECORATED BAR	1	34	HEAT INSULATION BLANKET	2
9	WHEEL WITH BRAKE	2	35	GLASS FIXING FRONT PIECE	1
10	BASE ASSEMBLY	1	36	HEAT INSULATION BLANKET	1
11	TURN KNOB	1	37	TOP BOARD	1
12	TURN KNOB WALL	1	38	HEAT INSULATION BLANKET	1
13	GAS VALVE ASSEMBLY	1	39	PILOT SUPPORTER	1
14	WHEEL WITHOUT BRAKE	2	40	PILPT ASSEMBLY	1
15	SIDE & FRONT OF TANK CABINET	1	41	PILOT ASSEMBLY PANEL	1
16	DOOR OF COMBUSTION CHAMBER	1	42	TOP BOARD	1
17	BRICK PANEL FIXED BAR(BOTTOM)	1	43	TOP INSULATION PANEL	1
18	BRICK PANEL FIXED BAR(SIDE)	2	44	TOP HEAT INSULATION MESH	1
19	BRICK PANEL	1	45	HANDRAIL	1
20	SIDE SUPPORTER OF COMBUSTION CHAMBER BOTTOM BOARD	2	46	MIDDLE DECORATED BAR INNER	1
21	CERAMIC LOG PART A	1	47	HEAT INSULATION BLANKET	1
22	CERAMIC LOG PART B	1	48	HANDRAIL SCREW	2
23	CERAMIC LOG PART C	1	49	MAGNET	2
24	CERAMIC LOG PART D	1	50	MIDDLE DECORATED BAR OUTER	1
25	CERAMIC LOG PART F	1	51	PIN OF COMBUSTION CHAMBER DOOR	1
26	DUST INSULATED BOARD	1	52	HINGE OF COMBUSTION CHAMBER DOOR	2



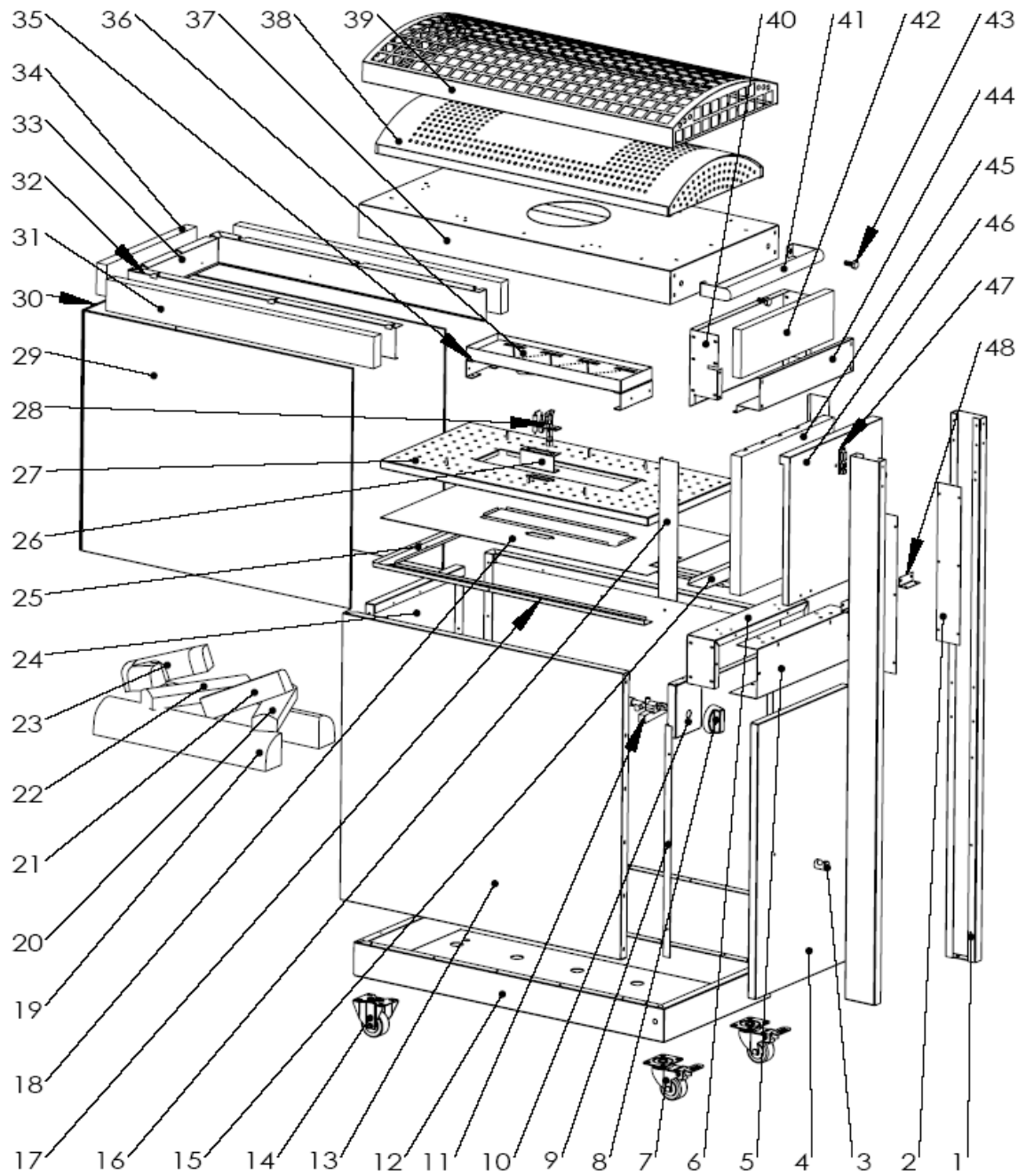
PARTS LIST-TB5

Exploding Drawing-TB5



Part No	Name	QTY	Part No	Name	QTY
1	FRONT BOARD OF TANK CABINET	1	25	TOP DECORATED BAR OUTER	1
2	WHEEL WITHOUT BRAKE	2	26	HANDRAIL	1
3	SIDE BOARD OF TANK CABINET	2	27	HANDRAIL SCREW	2
4	BASE ASSEMBLY	1	28	TOP BOARD	1
5	WHEEL WITH BRAKE	2	29	TOP INSULATION PANEL	1
6	SS DECORATED BAR	1	30	TOP HEAT INSULATION MESH	1
7	VALVE ASSEMBLY	1	31	PILOT ASSEMBLY	1
8	TURN KNOB WALL	1	32	PILOT SUPPORTER	1
9	TURN KNOB	1	33	HEAT INSULATION BLANKET	2
10	VERTICAL BAR	2	34	GLASS FIXING SIDE PIECE	2
11	MIDDLE DECORATED BAR INNER	1	35	BURNER INNER ASSEMBLY	1
12	BRICK PANEL FIXED BAR(SIDE)	2	36	BURNER OUTER ASSEMBLY	1
13	TANK CABINET DOOR	1	37	BASE BOARD OF BURNER	1
14	MIDDLE DECORATED BAR OUTER	1	38	DUST INSULATED BOARD	1
15	BRICK PANEL FIXED BAR(BOTTOM)	1	39	GLASS FIXING FRONT PIECE	1
16	BRICK PANEL	1	40	HEAT INSULATION BLANKET	1
17	TANK CABINET DOOR KNOB	1	41	FRONT GLASS	1
18	DOOR OF COMBUSTION CHAMBER	1	42	SIDE GLASS	2
19	HINGE OF COMBUSTION CHAMBER DOOR	2	43	FRONT SUPPORTER OF COMBUSTION CHAMBER BOTTOM BOARD	1
20	INNER PIECE	2	44	SIDE SUPPORTER OF COMBUSTION CHAMBER BOTTOM BOARD	2
21	MAGNET	2	45	CERAMIC LOG PART A	2
22	TOP DECORATED BAR INNER	1	46	CERAMIC LOG PART C	2
23	HEAT INSULATION BLANKET	1	47	CERAMIC LOG PART D	1
24	PIN OF COMBUSTION CHAMBER DOOR	1	48	CERAMIC LOG PART F	1

# Exploding Drawing-TB6

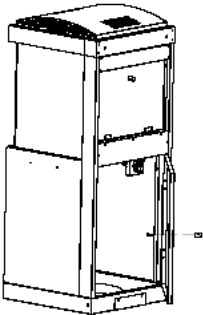
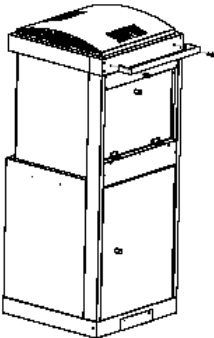
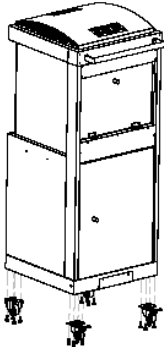
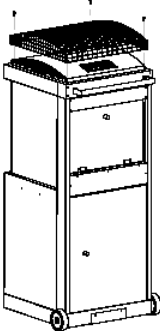


PARTS LIST-TB6

Part No	Name	QTY	Part No	Name	QTY
1	VERTICAL BAR	2	25	FRONT SUPPORTER OF COMBUSTION CHAMBER BOTTOM BOARD	1
2	INNER PIECE	2	26	PILOT SUPPORTER	1
3	TANK CABINET DOOR KNOB	1	27	BASE BOARD OF BURNER	1
4	TANK CABINET DOOR	1	28	PILOT ASSEMBLY	1
5	MIDDLE DECORATED BAR OUTER	1	29	SIDE GLASS	2
6	MIDDLE DECORATED BAR INNER	1	30	FRONT GLASS	1
7	WHEEL WITH BRAKE	2	31	HEAT INSULATION BLANKET	2
8	TURN KNOB	1	32	GLASS FIXING SIDE PIECE	2
9	TANK CABINET DOOR DAMPER	1	33	GLASS FIXING FRONT PIECE	1
10	TURN KNOB WALL	1	34	HEAT INSULATION BLANKET	1
11	VALVE ASSEMBLY	1	35	BURNER OUTER ASSEMBLY	1
12	BASE ASSEMBLY	1	36	BURNER INNER ASSEMBLY	1
13	SIDE OF TANK CABINET	2	37	TOP BOARD	1
14	WHEEL WITHOUT BRAKE	2	38	TOP INSULATION PANEL	1
15	BRICK PANEL FIXED BAR(BOTTOM)	1	39	TOP HEAT INSULATION MESH	1
16	BRICK PANEL FIXED BAR(SIDE)	2	40	TOP DECORATED BAR INNER	1
17	SIDE SUPPORTER OF COMBUSTION CHAMBER BOTTOM BOARD	2	41	HANDRAIL	1
18	DUST INSULATED BOARD	1	42	HEAT INSULATION BLANKET	1
19	CERAMIC LOG PART A	1	43	HANDRAIL SCREW	2
20	CERAMIC LOG PART B	2	44	TOP DECORATED BAR OUTER	1
21	CERAMIC LOG PART C	1	45	BRICK PANEL	1
22	CERAMIC LOG PART D	1	46	DOOR OF COMBUSTION CHAMBER	1
23	CERAMIC LOG PART E	1	47	PIN OF COMBUSTION CHAMBER DOOR	1
24	FRONT OF TANK CABINET	1	48	HINGE OF COMBUSTION CHAMBER DOOR	2

## Monteringsinstruksjoner / Assembly Procedures

Pakk ut peisen av emballasjen og følg disse instruksjoenene / Take out the heater body and all of the parts from carton, then follow below procedures.

STEP 1	STEP 2
<p>Sett fast d�rhandaket med medf�lgende skrue / Fasten the knob on tank door with screw we supplied in one set.</p>	<p>Bruk 2 stk m8 skruer til � feste h�ndaket �verst p� peisen / Use 2 pcs of M8 screw to contact handrail with peisen body</p>
<p data-bbox="437 618 552 645">STEP 1</p> 	<p data-bbox="1011 589 1158 616">STEP 2</p> 
STEP 3	STEP 4
<p>Sett p� alle fire hjulene, hjulene de med brems skal sitte bak. / Screw four wheels on peisen body, two wheel without brake for front side and the other two for behind.</p>	<p>Plasser toppen p� peisen som vist, fest denne med 4 skruer. / Position top space mesh on the top board, then fasten it securely in place using 4 self tapper screws.</p>
<p data-bbox="344 1520 517 1547">STEP 3</p> 	<p data-bbox="986 1547 1094 1574">STEP 4</p> 

Step 5

Position ceramic logs on the burner

	Ta ut de keramiske kubbene / Take out ceramic logs from carton	Sjekk hvilken modell du har kjøpt og plassere kubbene som vist under / According to following pics to position the ceramic logs
TB4 (5 pcs)		
TB5 (6 pcs)		
TB6 (6 pcs)		

DATABLAD / DATA BADGE FOR THE TB4/TB5/TB6 MOBILE PATIO HEATER

APPARATET ER PRODUSERT AV / APPLIANCE MANUFACTURED BY:	Laizhou Yike Burner Co., Ltd	
APPARATKODE / APPLIANCE CODE:	TB4/TB5/TB6	
TOTAL EFFEKT OG FORBRUK / TOTAL HEAT INPUT: Q <sub>n</sub>	8.50 kW (607 g/h)	
KATEGORI/GAS CATEGORIES:	I <sub>3+</sub>	I <sub>3B/P(30)</sub>
GASSTYPER/TYPES OF GAS:	Butane Propane	LPG mixtures
GASSTRYKK/GAS PRESSURE:	28 – 30 mbar butane 37 mbar propane	30 mbar LPG mixtures
DYSE STR / INJECTOR SIZE:	1.45 mm	
DESTINASJONSSTED/ COUNTRIES OF DESTINATION	BE, CH, CY, CZ, ES, FR, GB, GR, IE, IT, LT, LU, LV, PT, SK, and SI.	BE, BG, CY, DK, EE, FI, FR, HR, HU, IS, IT, LT, LU, MT, NL, NO, RO, SK, SI, SE and TR.
ID KODE/ IDENTIFICATION CODE:	359CM	
SERIE NR / SERIAL NUMBER	11-0000	
KUN DOR UTENDØRS BRUK OG I GODT VENTILERTE OMRÅDER / FOR USE OUTDOORS AND IN WELL VENTILATED AREAS		
APPARATET ER IKKE FOR INNENDØRS BRUK / THIS APPLIANCE IS NOT FOR DOMESTIC USE		
ADVARSEL: OVERFLATER KAN BL SVÆRT VARME – HOLD BARN OG HUSDYR PÅ SIKKER AVSTAND! / WARNING: ACCESSIBLE PARTS MAY BE VERY HOT. KEEP YOUNG CHILDREN AWAY		
LES MANUALEN FØR BRUK – ALL INSTALLASJON MÅ SKJE I SAMSVAR MED NASJONALE REGLER. / READ THE INSTRUCTION LITERATURE BEFORE USING THE APPLIANCE. THE APPLIANCE MUST BE INSTALLED IN ACCORDANCE WITH THE INSTRUCTIONS AND LOCAL REGULATIONS		
STNG VENTILEN PÅ GASSFLASKEN ETTER BRUK. / CLOSE THE VALVE OF THE GAS CYLINDER OR THE REGULATOR AFTER USE.		
BRUK ALDRI APPARATET I LUKKEDE OMRÅDER / THE USE OF THIS APPLIANCE IN ENCLOSED AREAS CAN BE DANGEROUS AND IS PROHIBITED		
VED BRUK I VENTILERTE OMRÅDER MÅ VENTILASJONEN TILSVARE 25% AV VEGGAREALET. / WELL VENTILATED AREAS MUST HAVE A MINIMUM OF 25% OF THE SURFACE AREA OPEN. THE SURFACE AREA IS THE SUM OF THE WALL SURFACE.		

## DATABLAD / DATA BADGE FOR THE TB4/TB5/TB6 MOBILE PATIO HEATER

APPARATET ER PRODUSERT AV. / APPLIANCE MANUFACTURED BY:	Laizhou Yike Burner Co., Ltd
APPARATKODE / APPLIANCE CODE:	TB4/TB5/TB6
TOTAL EFFEKT OG FORBRUK / TOTAL HEAT INPUT: Q <sub>n</sub>	8.50 kW (607 g/h) for Gas Category I <sub>3P(37)</sub>
KATEGORI/GAS CATEGORIES:	I <sub>3B/P(50)</sub>
GASSTYPER/TYPES OF GAS:	LPG mixtures
GASSTRYKK/GAS PRESSURE:	50 mbar LPG mixtures
DYSE STR / INJECTOR SIZE:	1.30 mm
DESTINASJONSSTED/ COUNTRIES OF DESTINATION	AT, CH, DE and SK.
ID KODE/ IDENTIFICATION CODE:	359CM
SERIE NR / SERIAL NUMBER	11-0000
KUN DOR UTENDØRS BRUK OG I GODT VENTILERTE OMRÅDER / FOR USE OUTDOORS AND IN WELL VENTILATED AREAS	
APPARATET ER IKKE FOR INNENDØRS BRUK / THIS APPLIANCE IS NOT FOR DOMESTIC USE	
ADVARSEL: OVERFLATER KAN BL SVÆRT VARME - HOLD BARN OG HUSDYR PÅ SIKKER AVSTAND! / WARNING: ACCESSIBLE PARTS MAY BE VERY HOT. KEEP YOUNG CHILDREN AWAY	
LES MANUALEN FØR BRUK - ALL INSTALLASJON MÅ SKJE I SAMSVAR MED NASJONALE REGLER. / READ THE INSTRUCTION LITERATURE BEFORE USING THE APPLIANCE. THE APPLIANCE MUST BE INSTALLED IN ACCORDANCE WITH THE INSTRUCTIONS AND LOCAL REGULATIONS	
STNG VENTILEN PÅ GASSFLASKEN ETTER BRUK. / CLOSE THE VALVE OF THE GAS CYLINDER OR THE REGULATOR AFTER USE.	
BRUK ALDRI APPARATET I LUKKEDE OMRÅDER / THE USE OF THIS APPLIANCE IN ENCLOSED AREAS CAN BE DANGEROUS AND IS PROHIBITED	
VED BRUK I VENTILERTE OMRÅDER MÅ VENTILASJONEN TILSVARE 25% AV VEGGAREALET. / WELL VENTILATED AREAS MUST HAVE A MINIMUM OF 25% OF THE SURFACE AREA OPEN. THE SURFACE AREA IS THE SUM OF THE WALL SURFACE.	

### PROBLEMS CHECK LIST

<u>PROBLEM</u>	<u>PROBABLE CAUSE</u>	<u>SOLUTION</u>
Pilot will not light	Gas valve may be OFF Tank fuel empty Opening blocked Air in supply system Loose connections	Turn the gas valve ON Refill LPG tank Clean or replace opening Purge air from lines Check all fittings
Pilot will not stay on	Debris around pilot Loose connections Thermocouple bad Gas leak in line Lack of fuel pressure	Clean dirty area Tighten connections Replace thermocouple Check connections Tank near empty. Refill LPG tank.
Burner will not light	Pressure is low Opening blocked Control not ON Thermocouple bad Pilot light assembly bent Not in correct location	Tank near empty. Refill LPG tank. Remove and clean Turn valve to ON Replace thermocouple Place pilot properly Position properly and retry





•  
Sunwind Gylling AS • Postboks 64 • N-1309 RUD • Norge  
Rudssletta 71-75 • N-1351 RUD • Norge  
(+47) 67 17 13 70  
post@sunwind.no

Sunwind Gylling AB • Vendevägen 90 • S-182 32 DANDERYD • Sverige  
(+46) 8-544 98 994

Sunwind Gylling OY • Niemeläntie 1. • Kaarina  
FIN-20780  
(+358) 2236 1515