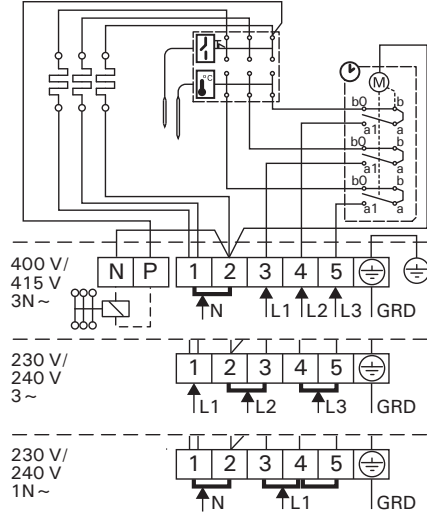
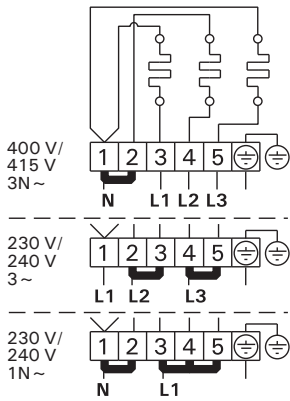


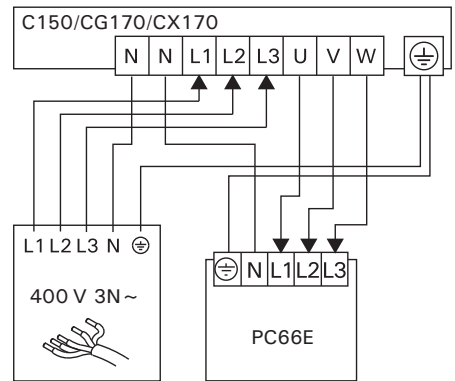
**PC66**



**PC66E**



**PC66E + C150/CG170/CX170**



|    | 400 V 3N~          |                                       | 230 V 1N~              |                                       |
|----|--------------------|---------------------------------------|------------------------|---------------------------------------|
|    | Output<br>Leistung | Conn.<br>cable<br>Anschlus-<br>skabel | Fuse<br>Siche-<br>rung | Conn.<br>cable<br>Anschlus-<br>skabel |
| kW | 6,6                | 5 x 1,5                               | 3 x 10                 | 3 x 6                                 |
|    |                    |                                       |                        | 1 x 35                                |

**Electrical connections**