

HARVIA HPIE

HPIE700400

The Harvia Kivi electric heater is an impressive piece of raw natural power. The source and the power of the Finnish sauna tradition comes from heating up a huge pile of stones. That is what inspired us as well. The Harvia Kivi heater combines centuries-old tradition with the latest technology to create the ultimate sauna experience. Thanks to the massive number of stones and the tall design, you can adjust the nature of the steam from soft to sharp by throwing water either to the side of the heater or straight on top of the stone pillar. Throw water on Kivi for a naturally powerful sauna experience. This floor model heater has almost 100 kg of sauna stones, which has proved to be the right amount to offer hefty heat within a reasonable time. The stones are located in a two-part, triangular steel framework. This stylish design allows for the natural strengths of the stone. The Harvia Kivi can be placed near the sauna benches, as its surface temperature is relatively low. You can also embed the heater in the lowest bench with the help of an embedding flange made from stainless steel that is available as an accessory. Heaters are controlled by a separate control unit.



Advantages

- A tall design heater with massive number of stones
- The height of the pillar heater allows for a spectacular embedding in the bench
- The upward tapering shape makes the tall heater seem petite
- Controlled by a separate control unit
- The large number of stones guarantees soft and abundant steam

Features

Main material : Steel

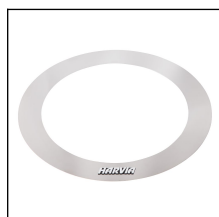
H x W x D : 1200.0 x 370.0 x 370.0 mm

Net weight (kg) : 13.5

Installation type : Floor

ID	GTIN	Output (kW)	Sauna room size min - max m ³
HPIE700400	6410082662203	7 kW	6.0-10.0

Related products



HPC1



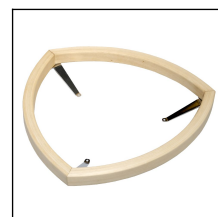
HPC2



HPC2L



HPI1



HPI2

Spare parts

Product	ID	Pcs
Heating element 2300W/230V Kivi	ZRH-247	1
Sensor with reset button 125 degr.	WX248	1
3 m cable Moderna/Fuga/Kivi/DeltaEE	WX250	1
5 m cable Moderna/Fuga/Kivi/DeltaEE	WX251	1
10 m cable Moderna/Fuga/Kivi/DeltaEE	WX252	1
Power unit Kivi heater	ZRH-310	1
Control panel	ZSME-200-1	1
Casing set Kivi	ZRH-210	1
On/off electric switch	ZSK-684	1
Mounting collar Moderna E	ZSME-80	1
Mounting bracket Kivi	ZRH-350	1

Technical details

Technical data	Type / attribute	HPIE700400
	Color	Stainless Steel
	Power output	7 kW
	Stone sizes	5-10 cm
	Stone amount (kg)	100
Dimensions	Product width (mm)	370
	Product height (mm)	1200
	Product depth (mm)	370
	Net weight (kg)	13.5
	Gross weight	15.9
	Package width	390
	Package height	1260
	Package depth	390
Safety and installation dimensions	Safety distance front (non-combustible materials)	100
	Safety distance front (combustible materials)	100
	Safety distance side (non-combustible materials)	100
	Safety distance side (combustible materials)	100
	Safety distance behind (non-combustible materials)	100
	Safety distance (Ceiling) (depends on connections and therefore from output, star/delta)	680
	Room min. height(depends on connections and therefore from output, star/delta)	1900
	Installation opening height	1900
	Installation opening width	570

DATA SHEET

HARVIA ELECTRIC HEATERS



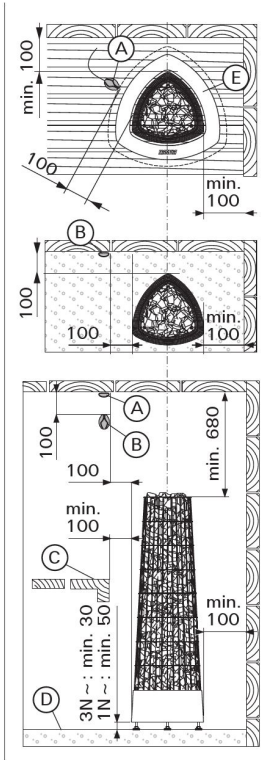
HARVIA

Sauna & Spa

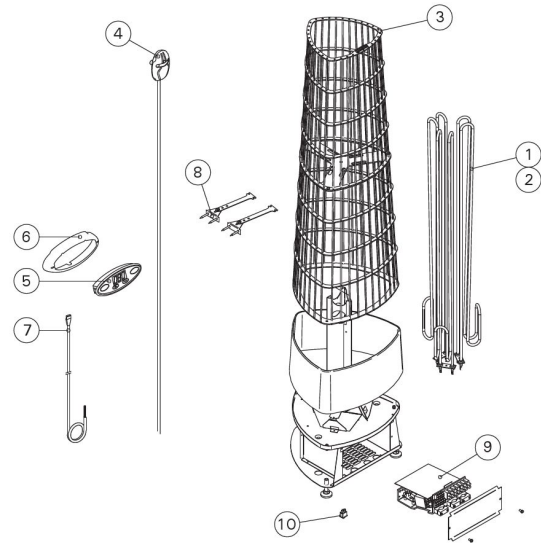
Technical details

Technical data	Type / attribute	HPIE700400
	Installation opening depth	570

Technical images



- A. Sensor (installed on ceiling). If the heater is installed further than 100 mm from wall, the sensor must be installed on the ceiling.
- B. Sensor (installed on wall).
- C. Bench or safety railing.
- D. Floor. **Hot pieces of stone can damage floor coverings and cause a risk of fire.** The floor coverings of the installation place should be heat-resistant.
- E. Embedding flange HPI1 (optional). **See installation instructions of the flange before making a hole in the bench.**



1	Heating element 2300 W	Heizelement 2300 W	PI70, PI70E	ZRH-247
2	Heating element 3000 W	Heizelement 3000 W	PI90, PI90E	ZRH-249
3	Steel frame	Stahlrahmen	PI, PI-E	ZRH-210
4	Temperature sensor	Temperaturfühler	PI, PI-E	WX248
5	Control panel	Bedienfeld	PI	ZSME 200-1
6	Installation flange	Montagemanschette	PI	ZSME 80
7	Data cable, 3 m	Datenkabel, 3 m	PI	WX250
	Data cable, 5 m (optional)	Datenkabel, 5 m (wahlweise)	PI	WX251
	Data cable, 10 m (optional)	Datenkabel, 10 m (wahlweise)	PI, PI-E	WX252
8	Fixing kit (2 pcs)	Befestigungssatz (2 Stück)	PI, PI-E	ZRH-350
9	Power unit	Leistungseinheit	PI	ZRH-310
10	Main switch	Hauptschalter	PI	ZSK-684

Safety distances (all dimensions in millimeters)

We recommend to use only the manufacturer's spare parts.

